

BigMouth

Dental Data Repository

Muhammad F Walji, PhD

*University of Texas Health Science Center at
Houston, School of Dentistry*



COHRI.org

**Consortium for Oral Health
Research and Informatics**

Academic Centre for Dentistry (ACTA)
Baylor University
Columbia University College of Dental Medicine
Creighton University School of Dentistry
Harvard School of Dental Medicine
Indiana University School of Dentistry
Medical University of South Carolina
Meharry Medical College
Midwestern University Downers Grove
New York University
Nova Southeastern University
Oregon Health & Science Univ School of Dentistry
Temple University School of Dentistry
Tufts University School of Dental Medicine
UCSF School of Dentistry
University of Colorado School of Dental Medicine
University of Florida College of Dentistry

University of Illinois at Chicago
University of Kentucky
University of Louisville School of Dentistry
University of Michigan
University of Minnesota School of Dentistry
University of Nevada Las Vegas
University of Oklahoma College of Dentistry
University of Pacific
University of Pittsburgh, School of Dental Medicine
University of Southern California School of Dentistry
University of Tennessee
University of Texas School of Dentistry at Houston
University of Texas Health Science Center at San Antonio
University of Washington School of Dentistry
Virginia Commonwealth University
West Virginia University
Willamette Dental Group

VISION

*Linking resources for better research
and patient care*

MISSION

COHRI will:

- Create, standardize and integrate data using electronic health records
- Cooperate with other health related institutions to share data
- Improve informatics utilization in dental education, health care, and research
- Work together as a consortium to develop research projects to promote evidence based dentistry
- Define and facilitate the implementation of best practices and standards of care

COHRI Resources

- Medical Histories
- Problem List
- DDS Diagnostic Terminology
- BigMouth data repository
- CAMBRA CRA standardized (long)
- CAMBRA CRA clinic decision support
- Shared Educational Resources
- Research Collaboration



BigMouth

Dental Data Repository



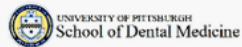
Access BigMouth | FAQ | Publications | Contact



University of California
San Francisco



School of Dentistry



Welcome to the BigMouth Dental Data Repository

BigMouth is an oral health database developed from partially de-identified electronic health record data contributed by dental schools who are part of the Consortium for Oral Health Research and Informatics (COHRI). Access to the database is provided by [i2b2](#), an open source data warehousing tool.

BigMouth contains data from five dental schools and is hosted at UTHealth | The School of Biomedical Informatics, Houston. The current participants are:

- Harvard | School of Dental Medicine
- Tufts University | School of Dental Medicine
- The University of California, San Francisco | School of Dentistry
- The University of Pittsburgh | School of Dental Medicine
- UTHealth | School of Dentistry
- **Coming soon:** The University of Michigan | School of Dentistry



COHRI User: Muhammad Wajli Find Patients | Analysis Tools | Help | Logout

Query Tool

Query Name: Primary-D2391:R@12:00:51

Temporal Constraint: Treat all groups independently

Group 1	Group 2	Group 3
Dates	Occurs > 0x	Exclude
Treat Independently	Treat Independently	Treat Independently
Primary caries (at DEJ) - 2	D2391-RESIN-BASED CO	

one or more of these AND one or more of these AND drop a term on here

Run Query Clear Print Query 2 Groups New Group

Previous Queries

- Primary-D2391:R@12:00:51 [8-15-2012] [mwajli@uth.tmc.edu]
- Exam Type@15:12:07 [8-14-2012] [mwajli@uth.tmc.edu]
- YES-PERIODO@14:55:04 [8-14-2012] [mwajli@uth.tmc.edu]
- Primary-D2391 @14:47:30 [8-14-2012] [mwajli@uth.tmc.edu]
- YES-PERIODO@13:35:54 [8-14-2012] [mwajli@uth.tmc.edu]
- Primary-D2391 @13:33:29 [8-14-2012] [mwajli@uth.tmc.edu]
- Denta-Diagn-Proce@18:27:09 [8-10-2012] [mwajli@uth.tmc.edu]
- Clinica-D4341:P@15:55:25 [8-10-2012] [mwajli@uth.tmc.edu]

Query Status

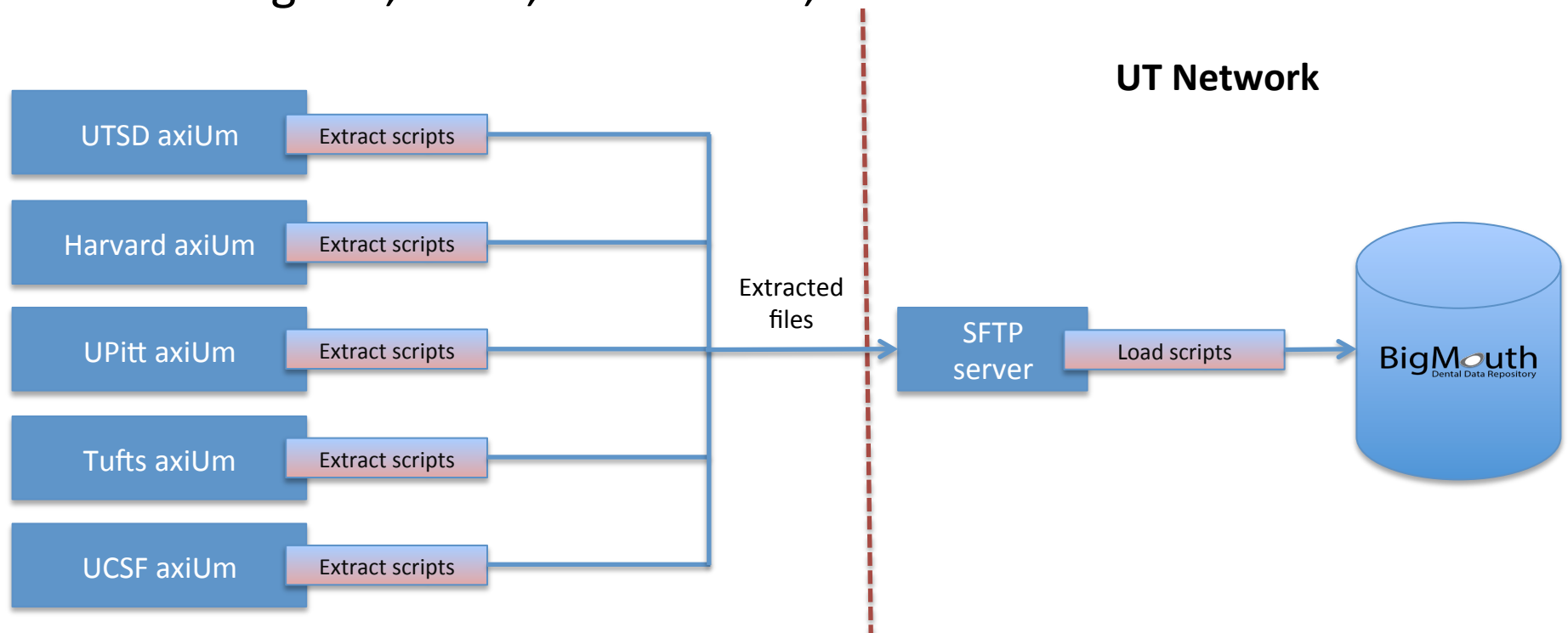
Number of patients for "Primary-D2391:R@12:00:51"
patient_count: 5159

Race patient breakdown for "Primary-D2391:R@12:00:51"

- American Indian or Alaska Native: 81
- Asian: 618
- Black or African American: 327
- Some Other Race: 1427
- White: 1981

BigMouth

- BigMouth integrates data from five dental schools
- BigMouth allows non-technical users to query the data
- Data available - Demographics, Diagnosis, Procedures, Forms, Odontogram, Perio, Medication, Insurance



Data in BigMouth

	# of patients
Demographics	1,576,714
Diagnosis	167,644
Procedures	687,731
Medical and Dental histories	213,096
Odontogram	1,368,542
Periodontal Chart	130,973
Prescribed Medications	88,652
Insurance	206,437

Data Governance

1. Adhere to privacy and security requirements
2. Access provided to those institutions that contribute
3. Each source site retains control of contributed data
4. Project review committee approval required for use of data for specific research projects
5. Continuously assess and improve the quality of data

Next Steps

- Scalability
- Standardization
- Sustainability
- Use!

Questions?

Muhammad.F.Walji@uth.tmc.edu

Supported in part by NLM G08LM010075, NIDCR R01DE024166